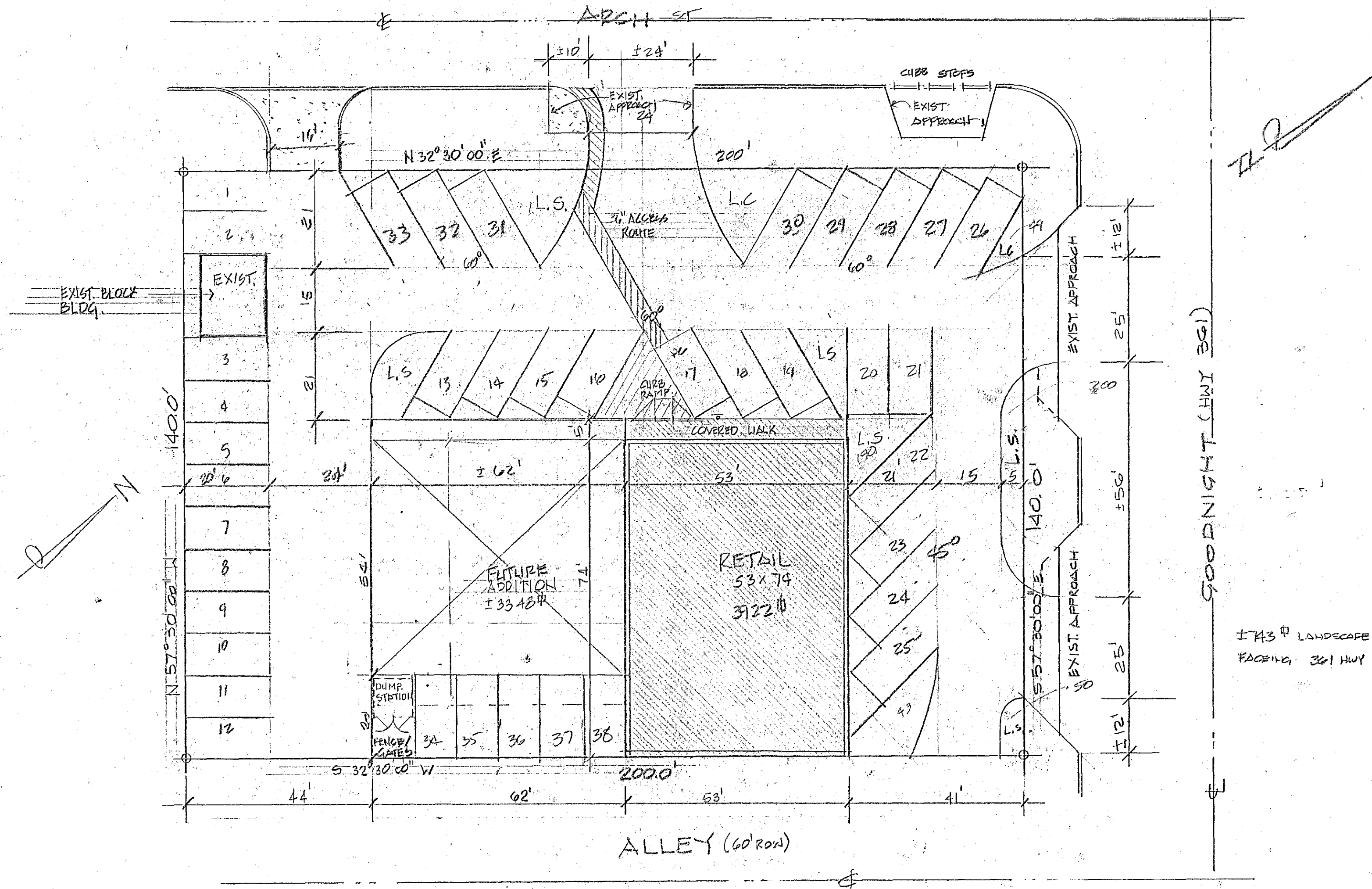


± 1149 LANDSCAPE
FACING ARCH ST.



PLOT & 200' PLAN 1"=20'

LOTS - F8 BLK 577 ARANSAS PASS TOWNSITE

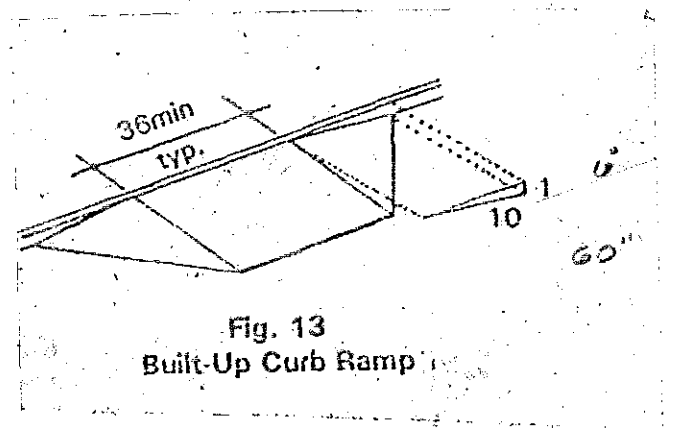


Fig. 13
Built-Up Curb Ramp

3922 ± 200 ≈ 20' REQ'D PARKING - 38 SHOWN
FUTURE = 3348 ± 200 ≈ 17' REQ'D FUTURE PARKING